

POWER II

FREE FALL WINDLASSES - FOR NORDIC CONDITIONS



HISTORY - ABOUT US

In the early 1980s, Industri Lambertseter AS / Ilas Marine began supplying equipment for Norwegian leisure boats. Today, we have dealers in large parts of the Nordic region, our equipment being installed at many of the boat builders.

From autumn 2016, the VINSJKOMPANIET AS took over as manufacturer.

Our patented free-fall anchor windlasses have made boating easier. It gives full control on the anchor whether one chooses rope or chain when the boat glides towards the rock or jetty. By using seawater-resistant aluminum and acid-resistant steel, our customers can enjoy the quality of the equipment year after year. The free fall windlasses came on the market for over 30 years ago.

VINSJKOMPANIET AS and Power IL should therefore be the first choice of boaters when traveling at sea, because the products provide a safer and easier life for them.



Free-fall anchor windlasses came on the market almost 30 years ago. The need to anchoring up quickly while the boat slid towards the rock was a Scandinavian phenomenon.

European windlasses manufacturers did not see this need because they simply do not have archipelago and rocky mountains.

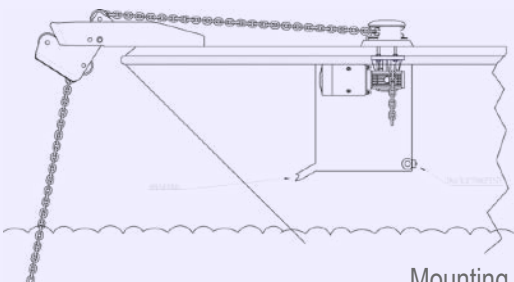
How does the free fall system work?

The free-fall system is mechanical and releases rope or chain from the gypsy wheel by a small push of the control key. A steel ring lies between the cable harness and rope / chain so that the engagement loosens. The rope or chain falls so freely. When sufficient rope / chain is out, press the "up" button and the rope / chain gets engaged in the gypsy wheel hold.

A slip lock secures the anchor in the upper position so that the roller fasteners and bathing platform are not damaged.

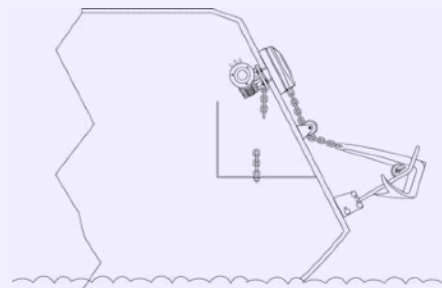
This simple system without the use of electronics combined with seawater resistant aluminum and acid resistant steel gives our customers pleasure of the equipment year after year.

Mounting solution SAILOR



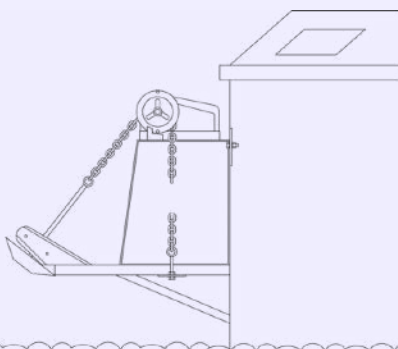
Mounting on deck

Mounting solution SKIPPER



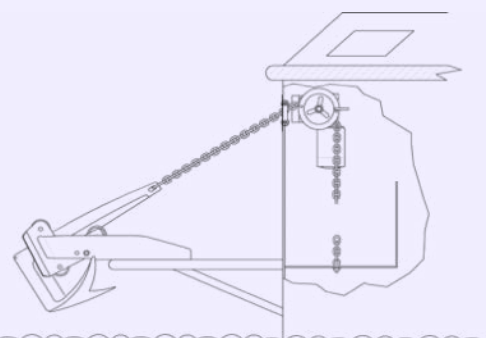
Mounting on stern for sailboat

Mounting solution CAPTAIN



Mounting on box

Mounting solution INSIDE



Mounting inside stern



POWER IL 500W SERIES

FOR BOATS UP TO 3.5 TONNES

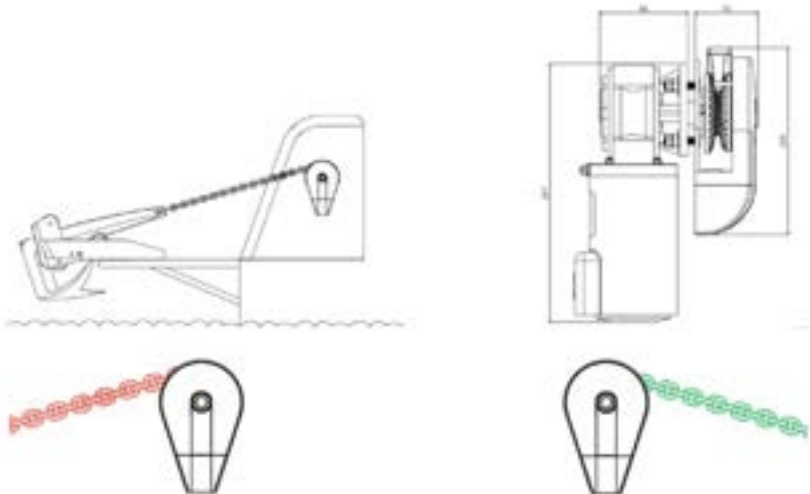
EASY ASSEMBLY

TAKING UP LITTLE SPACE



POWER IL COMMANDER

COMMANDER 500W is intended for vertical surfaces on starboard or port side.
Option for rope or chain.



Art. nr.: 11834 Commander 500W / 12V – PS – chain

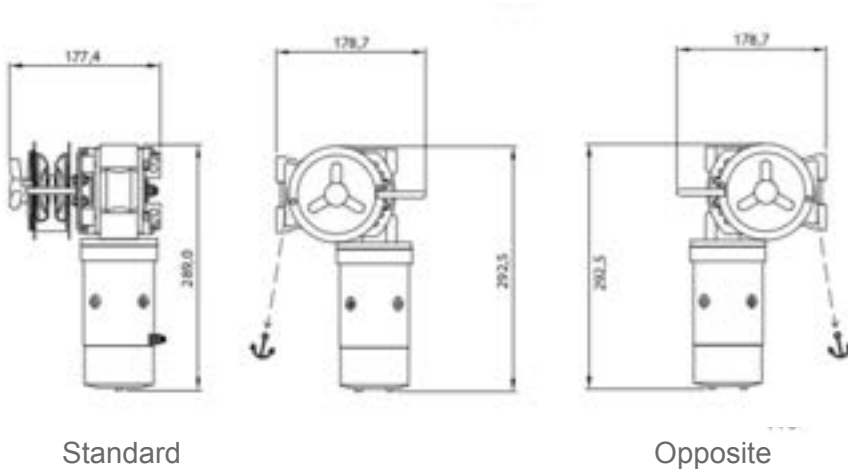
Art. nr.: 11832 Commander 500W / 12V – PS – rope

Art. nr.: 11835 Commander 500W / 12V – SB – chain

Art. nr.: 11833 Commander 500W / 12V – SB – rope

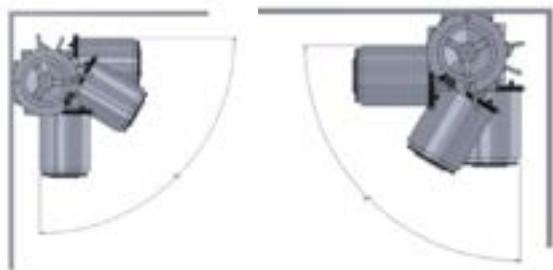
POWER IL INSIDE

INSIDE 500W is intended only for internal mounting, for example in transom, hatch door or back wall in the stern of the room.

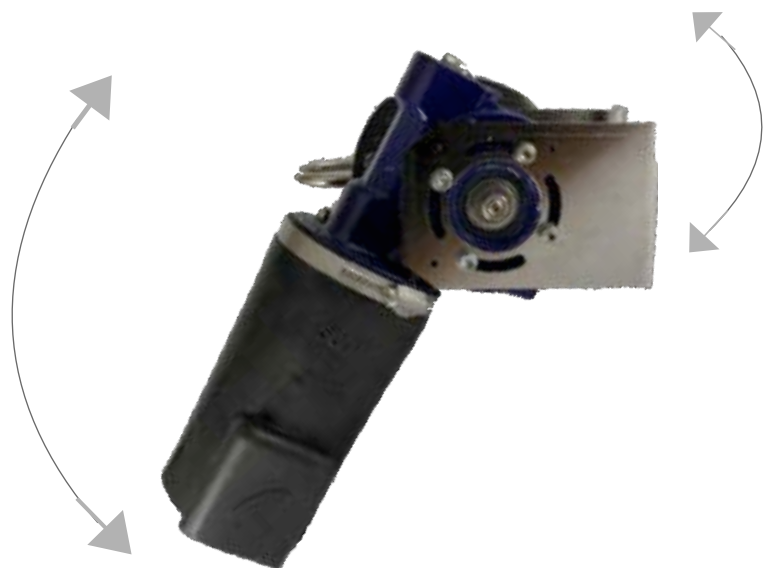


Updated version 2019/2020.

This new version of INSIDE 500W gives you more flexible options for mounting the windlass. The windlass feet can change position so the motor can be mounted in several different degrees. You can also mount the feet in the ceiling in the stern of room. This makes it easier for boats who has limited with space.



Adjustable 180*
(Pre-set when ordering)

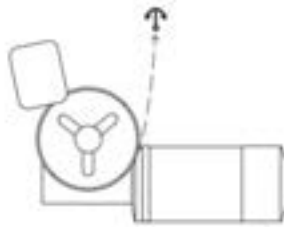
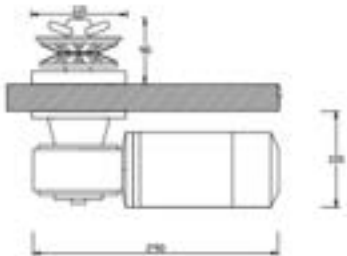


Art. nr.: 11800 Inside 500W / 12V – Chain standard
Art. nr.: 11801 Inside 500W / 12V – Chain opposite side

Art. nr.: 11802 Inside 500W / 12V – Rope standard
Art. nr.: 11803 Inside 500W / 12V – Rope opposite side

POWER IL SAILOR

SAILOR 500W is a vertical windlass that is well suited on the front and back deck.

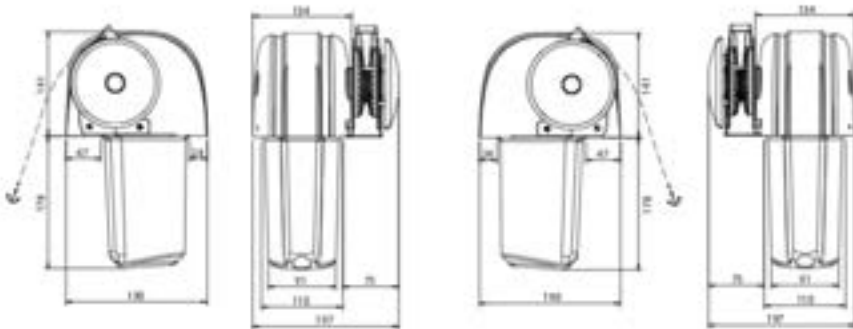


Art. nr.: 11830 Sailor 500W / 12V – Chain

Art. nr.: 11831 Sailor 500W / 12V – Rope

POWER IL CAPTAIN M

CAPTAIN M 500W is intended for deck or box/case mounting.



Standard

Opposite



Art. nr.: 12100 Captain M 500W / 12V – Chain standard
Art. nr.: 12101 Captain M 500W / 12V – Chain opposite side

Art. nr.: 12102 Captain M 500W / 12V – Rope standard
Art. nr.: 12103 Captain M 500W / 12V – Rope opposite side

POWER IL 1000W SERIES

FOR BOATS UP TO 15 TONNES.

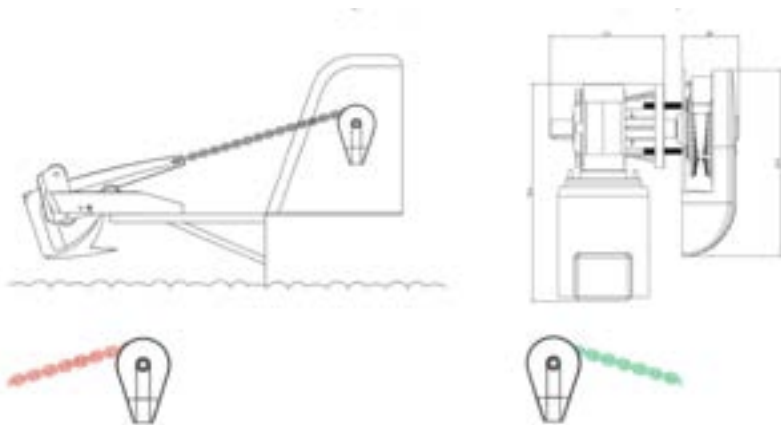
DIFFERENT MODELS FOR MULTIPLE MOUNTING SOLUTIONS.

EASY ASSEMBLY.



POWER IL COMMANDER

COMMANDER 1000W is intended for vertical surfaces on starboard or port side.
Options for rope or chain.

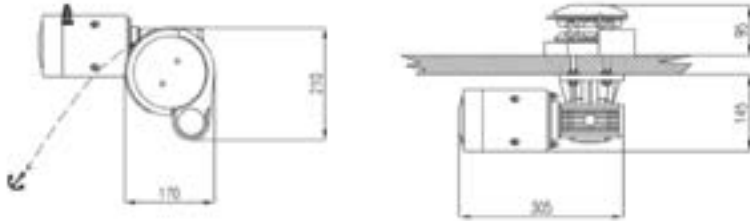


- Art. nr.: 12700 Commander 1000W / 12V – PS – Chain
- Art. nr.: 12701 Commander 1000W / 12V – PS – Rope
- Art. nr.: 12702 Commander 1000W / 24V – PS – Chain
- Art. nr.: 12703 Commander 1000W / 24V – PS – Rope

- Art. nr.: 12704 Commander 1000W / 12V – SB – Chain
- Art. nr.: 12705 Commander 1000W / 12V – SB – Rope
- Art. nr.: 12706 Commander 1000W / 12V – SB – Chain
- Art. nr.: 12707 Commander 1000W / 12V – SB – Rope

POWER IL SAILOR

SAILOR 1000W is a windlass mainly intended for deck mounting.
Can be delivered with or without free fall.



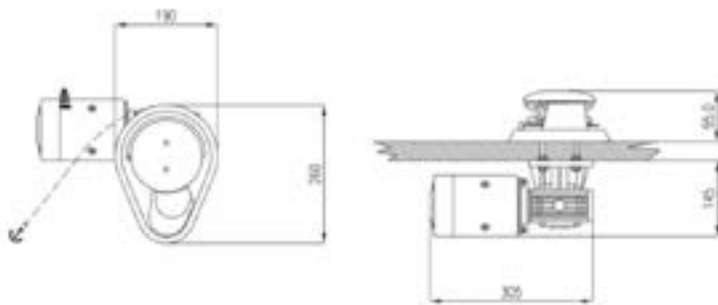
Art. nr.: 11200 Sailor 1000W / 12V – Chain
Art. nr.: 11202 Sailor 1000W / 12V – Rope

Art. nr.: 11201 Sailor 1000W / 24V – Chain
Art. nr.: 11203 Sailor 1000W / 24V – Rope

All 1000W series can be upgraded to 1200W or 1500W.

POWER IL SAILOR DE LUXE

SAILOR DE LUXE 1000W is a windlass mainly calculated for deck mounting.
Manufactured in acid resistant high gloss polished steel.
Can be delivered with or without free fall.



Art. nr.: 11700 Sailor DL 1000W / 12V – Chain
Art. nr.: 11702 Sailor DL 1000W / 12V – Rope

Art. nr.: 11701 Sailor DL 1000W / 24V – Chain
Art. nr.: 11703 Sailor DL 1000W / 24V – Rope

ALL 1000W Series can be upgraded to 1200W or 1500W.

NB!

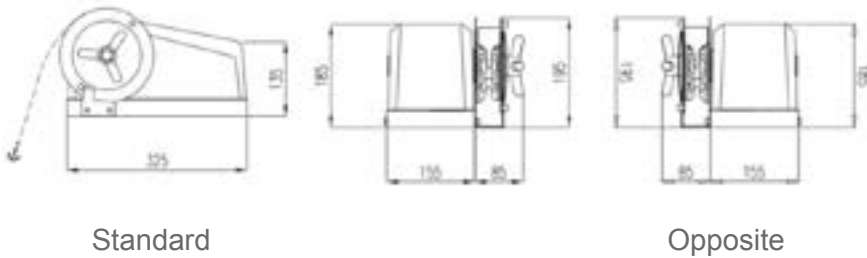
On SAILOR models, if it is a short distance from windlass to anchor, then steering for rope / chain must be used.

Art. nr.: 32126 Steering for rope
Art. nr.: 32133 Steering for chain



POWER IL CAPTAN C

CAPTAIN C 1000W is mounted either on case or on deck.
Rope and chain options.



- Art. nr.: 11700 Captain C 1000W / 12V – Chain
- Art. nr.: 11402 Captain C 1000W / 12V – Rope
- Art. nr.: 36519 Captain C 1000W / 12V – Chain opposite side
- Art. nr.: 36540 Captain C 1000W / 12V – Rope opposite side

- Art. nr.: 11402 Captain C 1000W / 24V – Chain
- Art. nr.: 11403 Captain C 1000W / 24V – Rope
- Art. nr.: 36520 Captain C 1000W / 24V – Chain opposite side
- Art. nr.: 36520 Captain C 1000W / 24V – Rope opposite side

ALL 1000W Series can be upgraded to 1200W or 1500W.

POWER IL CAPTAN M

CAPTAIN M 1000W can be mounted on box/case or on deck with the motor through deck. Builds little in perimeter.



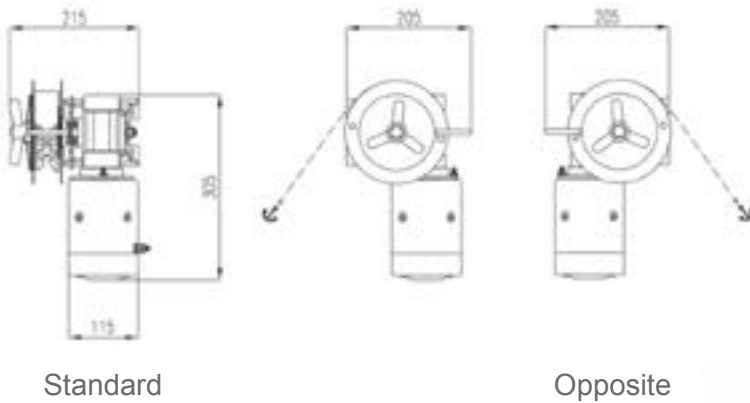
- Art. nr.: 12500 Captain M 1000W / 12V – Chain
- Art. nr.: 12502 Captain M 1000W / 12V – Rope
- Art. nr.: 12600 Captain M 1000W / 12V – Chain opposite side
- Art. nr.: 12602 Captain M 1000W / 12V – Rope opposite side

- Art. nr.: 12501 Captain M 1000W / 24V – Chain
- Art. nr.: 12503 Captain M 1000W / 24V – Rope
- Art. nr.: 12601 Captain C 1000W / 24V – Chain opposite side
- Art. nr.: 12603 Captain C 1000W / 24V – Rope opposite side

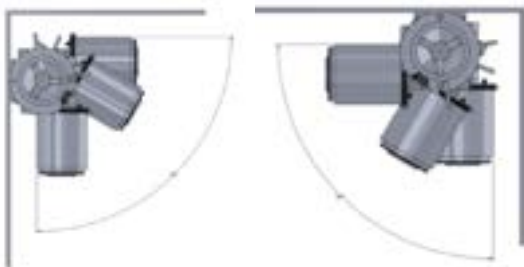
ALL 1000W Series can be upgraded to 1200W or 1500W.

POWER IL INSIDE

INSIDE 1000W is a windlass designed for internal mounting and usually in the transom on the boat.



This also have the **updated version** that gives you more flexible options for mounting the windlass. The windlass feet can change position so the motor can be mounted in several different degrees. You can also mount the feet in the ceiling in the stern of room. This makes it easier for boats who has limited with space.



Adjustable 180*
(Pre-set when ordering)



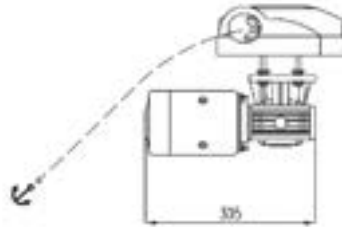
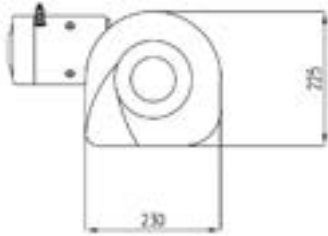
Art. nr.: 11100 Inside 1000W / 12V – Chain
Art. nr.: 11102 Inside 1000W / 12V – Rope
Art. nr.: 11131 Inside 1000W / 12V – Chain opposite side
Art. nr.: 36453 Inside 1000W / 12V – Rope opposite side

Art. nr.: 11101 Inside 1000W / 24V – Chain
Art. nr.: 11103 Inside 1000W / 24V – Rope
Art. nr.: 11132 Inside 1000W / 24V – Chain opposite side
Art. nr.: 36454 Inside 1000W / 24V – Rope opposite side

ALL 1000W Series can be upgraded to 1200W or 1500W.

POWER IL SKIPPER

SKIPPER 1000W is a vertical windlass. Mainly used on the sailboat's transom or side mounted.



Art. nr.: 11300 Skipper 1000W / 12V – Chain
Art. nr.: 11302 Skipper 1000W / 12V – Rope

Art. nr.: 11301 Skipper 1000W / 24V – Chain
Art. nr.: 11303 Skipper 1000W / 24V – Rope

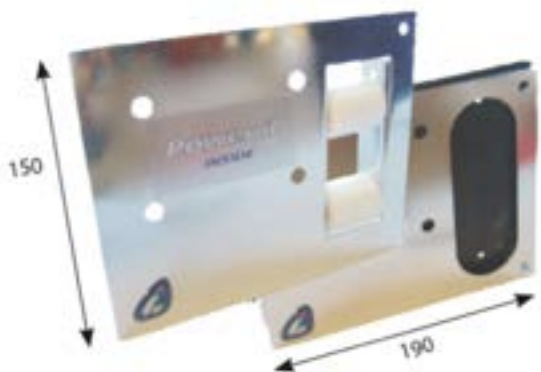
ALL 1000W Series can be upgraded to 1200W or 1500W.

THRU-HULL FITTINGS



POWER IL STANDARD FITTINGS

Standard fittings is mainly used on the older boats on transom.
For rope and chain use.



Art.nr.: 10833 Standard for rope w/socket 500W
Art.nr.: 10842 Standard for rope w/socket 1000W

Art.nr.: 36551 Standard w/rubber chain 1000W
Art.nr.: 36636 Standard w/rubber chain opposite 1000W

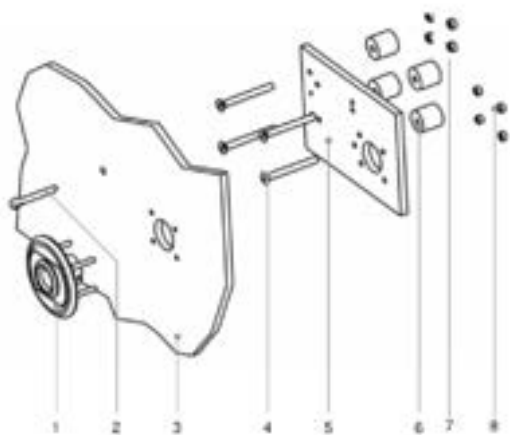


Art.nr.: 36593 Standard w/pulley chain/rope 500W
Art.nr.: 36495 Standard w/pulley chain/rope opposite 500W

Art.nr.: 36557 Standard w/pulley chain/rope 1000W
Art.nr.: 36242 Standard w/pulley chain/rope opposite 1000W

POWER IL ROUND ACID-RESISTANT FITTINGS

This fittings is made from acid-resistant high gloss polished steel complete set with brakets to mount windlass INSIDE 500W and 1000W.



- | | |
|-----------------------|--------------------------|
| 1. Thru-hull fitting | 5. Mounting plate |
| 2. Anchor secure hook | 6. Spacer |
| 3. Boat stern | 7. 4 M8 nut and 4 washer |
| 4. 4 M8 bolt | 8. 4 M6 nut and 4 washer |



Art.nr.: 11176 Round Acid-res. set chain 500W.
 Art.nr.: 11178 Round Acid-res. set chain 500W. opposite side

Art.nr.: 36249 Round Acid-res. set chain 1000W.
 Art.nr.: 36248 Round Acid-res. set chain 1000W opposite side.

Art.nr.: 11175 Round Acid-res. set rope 500W.
 Art.nr.: 11177 Round Acid-res. set rope 500W. opposite side

Art.nr.: 11174 Round Acid-res. set rope 1000W
 Art.nr.: 11173 Round Acid-res. set rope 1000W opposite side.



Blue and white no longer available. Replaced by Acid-resistant fittings.

POWER IL OTHER FITTINGS



Art.nr.: 11151 Small thru-hull fitting
 rope 30MM



Art.nr.: 11169 Thru-hull fitting rope
 no/socket. 68mm x 81mm



Art.nr.: 11152 Big thru-hull fitting
 rope 40MM



Art.nr.: 11159 Thru-hull fitting rope
 w/socket. 68mm x 81mm



Art.nr.: 10875 Thru-hull fitting
 universal w/pulley. 150mm x 80mm

ACCESSORIES



ELECTRICAL EQUIPMENT PACKAGE

Consists of relay, circuit breaker and switch panel with 6 meter cable. The switch panel has easy operation, is splash-proof and has child-safe operation.



Art. nr.: 10618 For 500W / 12V

Art. nr.: 10613 For 1000W / 12V

Art. nr.: 10614 For 1000W / 24V

REMOTE CONTROL

The windlass can be operated with the remote control everywhere on board.

This provides greater security and overview during anchoring. From land, the boat can be extended further out to the sea, this making boarding difficult for unauthorized persons.

Most people therefore choose to acquire remote control.

Remote control for 2 consumers, e.g. windlass and bow thruster.

The remote control consists of a transmitter and a receiver and a wireless switch panel.



Art. nr.: 10719 Remote control Model 400i.

FOOT SWITCH

This solution is often used next to deck mounted windlasses.

The foot switch is intended as an extra optional switch.



Art. nr.: 10631 Foot switch w/cable UP

Art. nr.: 10634 Foot switch w/cable DOWN

MAIN POWER CABLE

MAIN POWER CABLES comes with cable lugs fitted. The motor and battery cables are both 2.5m.



Art. nr.: 10619 Main power cable 500W

Art. nr.: 10646 Main power cable 1000W

SUPPORT ROLLER

| Type | Art.nr.: | Length | Width |
|------------------|----------|--------|-------|
| w/ no hoop | 10820 | 115 | 45 |
| w/ standing hoop | 10873 | 115 | 60 |
| w/ laying hoop | 10874 | 157 | 60 |



ANCHOR ROLLER FOR CASE



Art. nr.: 10840

TILT ROLLER FOR PLATFORM AND CASE



| Type | Art.nr.: | Length | Width | Height |
|----------------------|----------|--------|-------|--------|
| For case - Long | 10848 | 530 | 125 | 100 |
| For case - Short | 12121 | 430 | 125 | 100 |
| For platform - Long | 10849 | 530 | 125 | 100 |
| For platform - Short | 12120 | 430 | 125 | 100 |
| 110* for platform | 12124 | 740 | 125 | 170 |
| 110* for case | 12122 | 740 | 125 | 170 |

BREKK ROLLER



| Type | Art.nr.: | Length | Width | Height |
|------------|----------|--------|-------|--------|
| w/ no hoop | 36568 | 70 | 85 | 85 |
| w/ hoop | 10635 | 70 | 100 | 125 |

HINGED PLATFORM ROLLER



| Type | Art.nr.: | Length | Width |
|------------|----------|--------|-------|
| V-300 / 83 | 10962 | 400 | 83 |
| V-400 / 83 | 10970 | 500 | 83 |
| V-400 | 10979 | 500 | 103 |
| V-500 | 10945 | 600 | 103 |
| V-600 | 10955 | 700 | 103 |
| V-800 | 10949 | 900 | 103 |
| V-1000 | 10951 | 1100 | 103 |

STANDARD ROLLER S-300



| Type | Art.nr.: | Length | Width | Height |
|-------|----------|--------|-------|--------|
| S-300 | 11945 | 480 | 65 | 125 |

INTERGRATED PLATFORM ROLLER



- Art. nr.: 10920 Platform roller 217mm - D: 250 / B: 116 / L: 216
- Art. nr.: 10937 Platform roller 300mm - D: 180 / B: 145 / 300
- Art. nr.: 10937 Platform roller w/tilt 400mm - D: 400 / B: 180 / L: 400

ROLLER FOR PLATFORM



Art. nr.: 10830

Art. nr.: 10843

RECOMMENDED ANCHOR OG ROPE LINES

| Boat size | | Anchor in kg | | Dim. mm | |
|-----------|-------|--------------|-------|---------|------|
| Ton | Meter | Bruce | Bowl | Chain | Rope |
| 1 | 5 | 5 | 5 | 6 | 12 |
| 1,5 | 6 | 5 | 8 | 6 | 12 |
| 2 | 7 | 5-7,5 | 8 | 6 | 12 |
| 3 | 8 | 7,5-10 | 10-12 | 6 | 12 |
| 4 | 9 | 10 | 10-12 | 6,5 | 14 |
| 5 | 10 | 15 | 12-16 | 6,5 | 14 |
| 10 | 12 | 15-20 | 16-20 | 6,5-8 | 16 |
| 15 | 15 | 20-30 | - | 8-10 | 16 |

VIMPEL FLAGPOLE

VIMPEL FLAGPOLE from Vinsjkompaniet is made of high gloss polished acid-resistant steel. The rod comes with a bracket for rows.



Art. nr.: 32060 - Height: 410 mm.

CHAINS - SHORT LINK

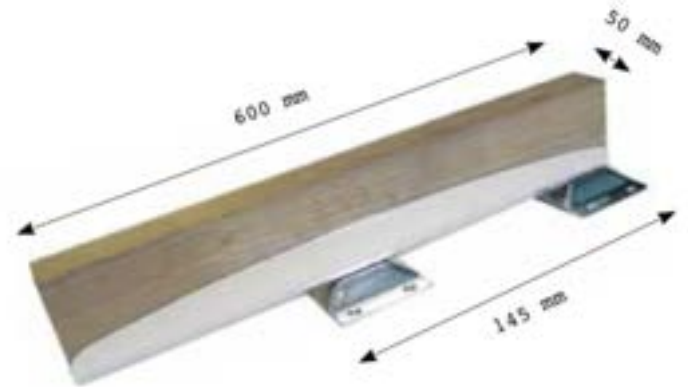


- Art. nr.: 10779 Galv chain - 50 m – 6 mm
- Art. nr.: 10782 Galv chain - 50 m – 6,5 mm
- Art. nr.: 10784 Galv chain - 50 m – 8 mm
- Art. nr.: 10785 Galv chain - 50 m – 10 mm
- Art. nr.: 10780 AISI 316 chain - 40 m – 6 mm
- Art. nr.: 10781 AISI 316 chain - 50 m – 6 mm
- Art. nr.: 10783 AISI 316 chain - 50 m – 6,5 mm
- Art. nr.: 10799 AISI 316 chain - 50 m – 8 mm



PLATFORM DAVIT

- Easy installation
- Can easily be mounted / dismantled
- No sharp or sharp edges
- The inflatable can stand or lie down
- Made of polished acid-resistant steel and teak



Art. nr.: 10900



Example of mounting, here on a Joda 850TC



VINSJKOMPANIET 

MANUFACTURER OF POWER ILL WINDLASSES AND EQUIPMENT

**VINSJKOMPANIET AS
ORGNR: 917 968 772**

**ROSENHOLMVEIEN 4B
1252 OSLO
NORWAY**

**TLF: 22 28 58 00
SALG@VINSJKOMPANIET.NO
WWW.VINSJKOMPANIET.NO**